

UAT's Next Generation Traffic Cone -The Shape of Things to Come-

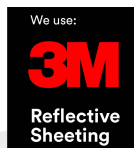


- Our Gorilla Grip is the best grip in the business reducing slippage and hand fatigue
- Our cones don't stick together when stacking reducing collar wear
- We use only the best materials and put Retroreflective 3M™ collars on our cones

- Engineered to meet MUTCD standards
- Meets NCHRP 350/MASH requirements
- 100% recyclable

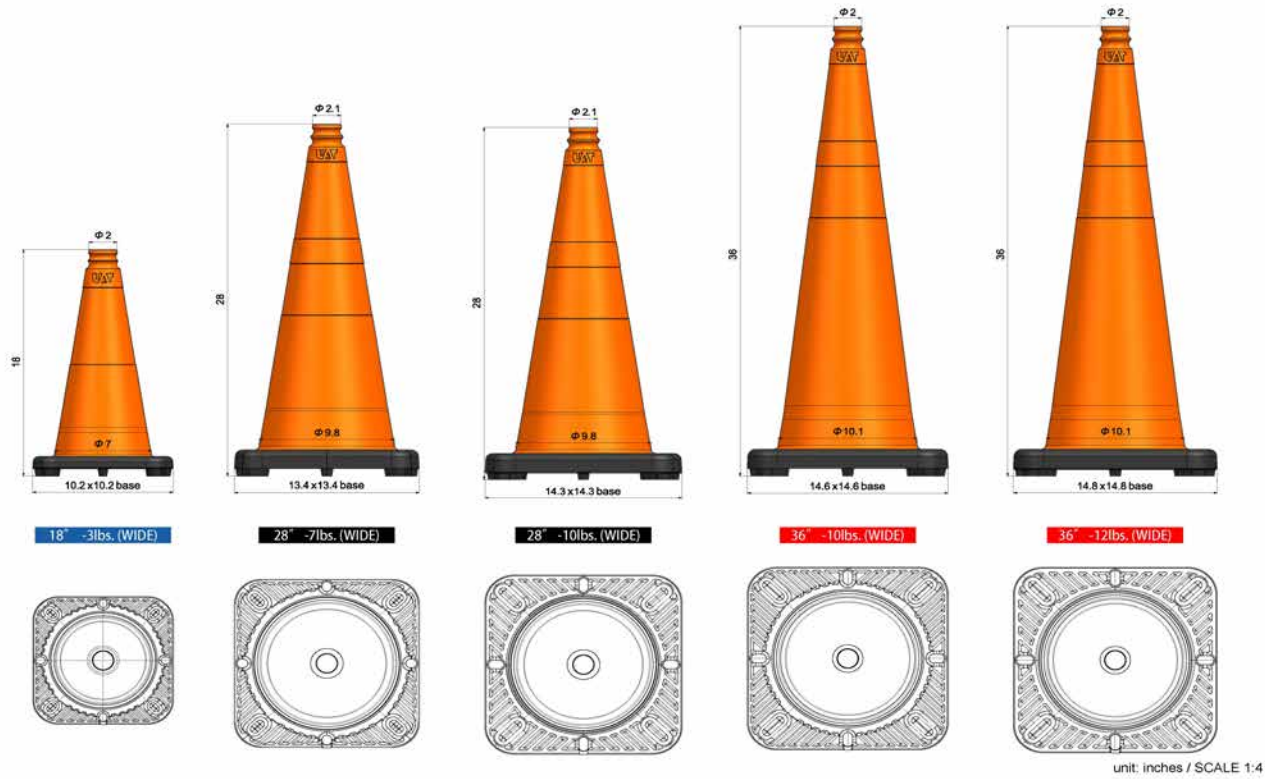


Jeff@uatsupply.com
www.uatsupply.com



UAT The Shape of Things to Come

Next Generation Traffic Cones



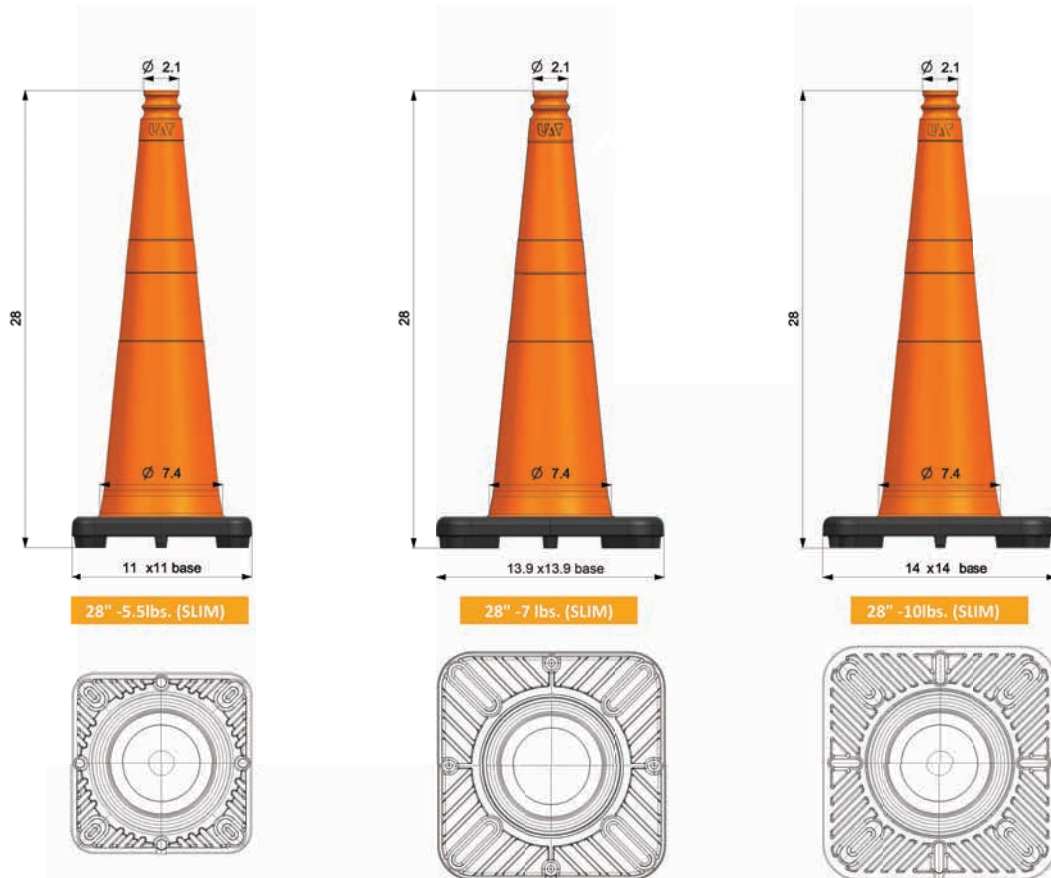
SKU	Description	SKU	Description
NGOO18-03	18" Traffic Cone 3#	NG3M18-03	18" Traffic Cone 3# with 3M Collars
NGOO28-07	28" Traffic Cone 7#	NG3M28-07	28" Traffic Cone 7# with 3M Collars
NGOO28-10	28" Traffic Cone 10#	NG3M28-10	28" Traffic Cone 10# with 3M Collars
NGOO36-10	36" Traffic Cone 10#	NG3M36-10	36" Traffic Cone 10# with 3M Collars
NGOO36-12	36" Traffic Cone 12#	NG3M36-12	36" Traffic Cone 12# with 3M Collars
		NGFL3M36-12	36" 12# FL DOT Traffic Cone with 3M Collars
NGSLOO28-55	28" Slim Traffic Cone 5.5#	NGSL3M28-55	28" Slim Traffic Cone 5.5# with 3M Collars
NGSLOO28-07	28" Slim Traffic Cone 7#	NGSL3M28-07	28" Slim Traffic Cone 7# with 3M Collars
NGSLOO28-10	28" Slim Traffic Cone 10#	NGSL3M28-10	28" Slim Traffic Cone 10# with 3M Collars



Jeff@uatsupply.com
www.uatsupply.com

UAT The Shape of Things to Come

Next Generation Traffic Cone - Slim Line



unit: inches / SCALE 1:1



Jeff@uatsupply.com
www.uatsupply.com

UAT The Shape of Things to Come

Cone Bars and Lights

Telescoping Cone Bars - Available in two sizes.

- 4' expand to 7' available in reflective yellow on black and reflective orange on white
- 6' expands to 10' available in reflective yellow on black and reflective orange on white
- Quickly installs on traffic cones to provide a high visibility barrier
- Inside diameter of bar loop, 3.25"

BarOW47 4' long, telescoping to 7'

BarBY47 4' long, telescoping to 7'

BarOW610 6' long telescoping to 10'

BarBY610 6' long, telescoping to 10'



Cone Weight, 7# weight made from recycled tires - CW00007



Barricade Lights

- SKU - BL-Solar LED

- 7-inch polycarbonate lens provides extreme durability.
- Includes photocell, 3-way switch,
- Reliable chip circuit is weather resistant.
- UV stabilized polycarbonate.
- Meets MUTCD and ITE specifications.



Jeff@uatsupply.com
www.uatsupply.com

UAT The Shape of Things to Come

Cone Signs



Sign-Arrow



Sign-Detour



Sign-Up Arrow



Sign-Road Closed



Sign-Sidewalk Closed

- Dim : Width - 18 Inch, Height - 14 Inch
- Durable ABS Plastic for Use Outdoors
- 1-Sided Printing
- Traffic Cone Signs are Supplemental Standard warnings and Directions that Create a Safer Work Environment
- Made of UV-Resistant Plastic



Jeff@uatsupply.com
www.uatsupply.com

UAT The Shape of Things to Come

UAT's GORILLA GRIP

Channelizer - the most SECURE GRIP DESIGN



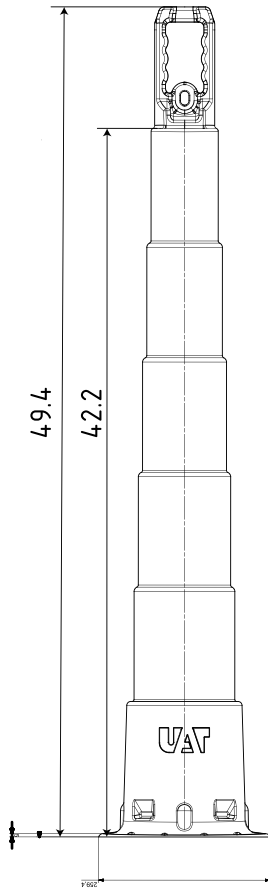
- Gorilla Grip- provides the largest ,most COMFORTABLE gripping area available
- Strategically contoured finger grips ensure SECURE, Safe grip even with wet muddy hands
- "RIGHT SIZED" grip cavity provides ample, secure gripping even with gloves

- Engineered to meet MUTCD standards
- Meets NCHRP 350/MASH requirements
- 100% recyclable
- Available with 4 bands of sheeting
- choose 6" and/or 4" bands
- Recycled rubber bases 16 lbs. and 30 lbs.

UAT

UAT The Shape of Things to Come

UAT's Gorilla Grip Channelizer



- Dimensions: 49.4" H x 7.6" W Flange - 10.3"
- Weight: 3 lbs
- Part Number: NGCHxxxx

-
- Recycled rubber bases in two sizes - 16 lbs., and 30 lbs.
 - Bases are made of 100% post-consumer recycled tire rubber from used car and truck tires.
 - Each 12 pounds of product you buy saves one passenger tire from a landfill.

BASES

SIZE



- 16 lb base

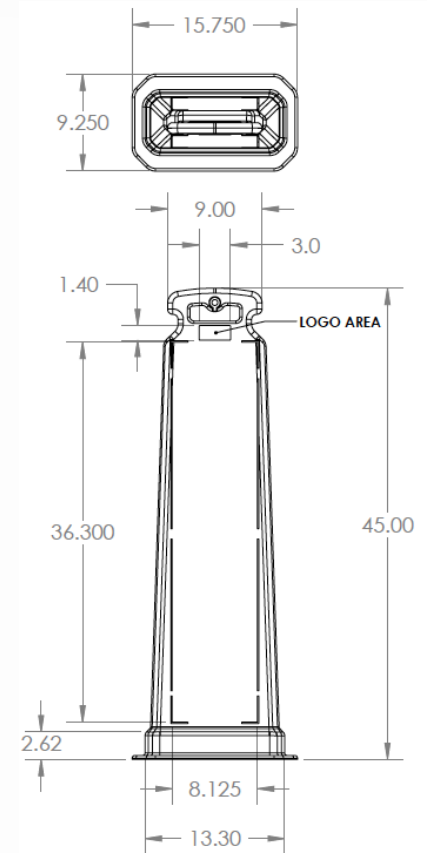


- 30 lb. base



UAT The Shape of Things to Come

Delineators & Vertical Panels



- Delineator post design may differ from the picture, please contact your sales rep.
- 42" tall post
- Two 3" reflective bands for high visibility.
- Large opening Arrow-Top handle makes it convenient for caution tape
- UV stabilized polyethylene fluorescent orange
- 12# base made from recycled rubber
- DL93001 - Top
- DL-12# - Base

- Thick, strong flange
- Recessed sheeting panel
- Easy grip handle
- MASH accepted WZ348
- 93009 - Top
- VP-20# - Base
- VP-30# - Base



Jeff@uatsupply.com
www.uatsupply.com

UAT The Shape of Things to Come